

NEW!

TOTAL BOTTLE INSPECTION SOLUTION



LEAK TESTING

- Gate pinholes
- Gate cracks
- Contamination hole
- Cocked neck
- Short shot



VISUAL INSPECTION

- Thread inspection
- Material defects
- Charred spots
- Flash on bottle
- Occluded Neck



TOTAL BOTTLE INSPECTION SOLUTION

The Total bottle inspection solution (TBIS) is an integrated quality control system. It combines proven in line leak testing, world class visual inspection, opacity check and other inspection technologies into one comprehensive quality control solution. This is destined to be the industry standard for bottle quality that all others will be judged by.

This TBIS concept has been applied to multiple chassis to create a full line of machines to meet the industries flexible manufacturing needs. The TBIS-S is single head linear solution that is compact and relatively low cost. The TBIS-M is an independent multi-head linear for better hole size detection. The TBIS-R is a high speed rotary solution that operates at ultra-high speeds and combines vision and other key inspection technologies to insure the most demanding quality standards are met.

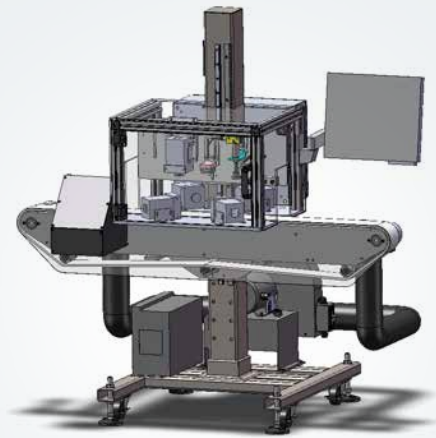
APPLICATIONS

Leak Detection

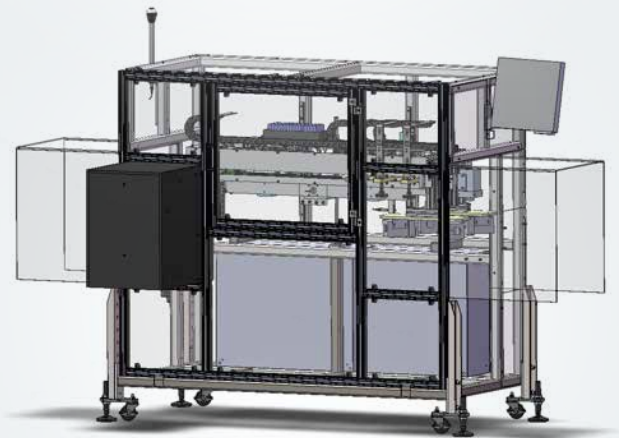
- > Gate Pinholes
- > Gate Cracks
- > Laser-Coding Holes
- > Contamination Holes
- > 'Thin Wall' Holes
- > Short Shots
- > Seal Surface Nicks
- > Cocked Necks
- > Cocked Bottles
- > Malformed Bottles
- > Tall Bottles (height option)
- > Short Bottles (height or topload option)
- > Thin/Weak Shoulders (topload option)
- > Thin/Wake Bases (topload option)

Visual Inspection

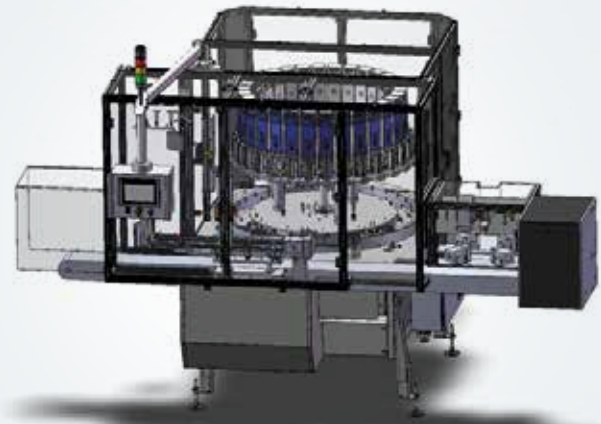
- > Thread Inspection
- > Bottle Geometry Inspection
- > Holes
- > Material Defects
- > Charred Spots
- > Flash on Bottle
- > Occluded Neck
- > Thin Material in Wall
- > Color Streaks
- > Critical Surface Inspection



TBIS-S SINGLE HEAD LINEAR



TBIS-M MULTI-HEAD LINEAR



TBIS-R ROTARY

Whatever your inspection needs, ALPS has the solution to help you achieve the highest quality standards for your product. ALPS, the pinnacle in leak testing.

2440 W Corporate Preserve Drive
Suite 600, Oak Creek, Wisconsin 53154
Tel. (414) 671 3332
Email: info@alpsleak.com

www.alpsleak.com

ALPS
LEAK TEST & INSPECTION SOLUTIONS