

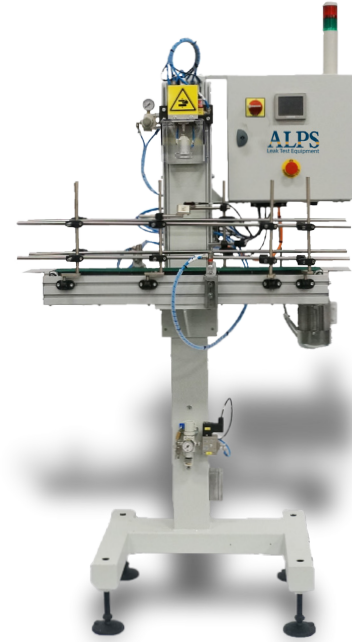
The ALPS LC Linear is a low cost single station machine intended for 100% leak inspection of empty plastic bottles.

Inspection speeds typically range between 1 to 25 Bottles-Per-Minute (60 to 1500 BPH), depending upon the container size and testing requirements.

The machine will fit containers between approximately 1" to 8" in length, 1" to 7.5" in width, and 1.5" to 13.75" in height.

The integrated strand conveyor, designed for end-to-end transfer of bottles from the production line, operates continuously at a fixed speed. When the test probe force is applied to the bottle vertically, the strands that are traveling underneath the container are pressed into machined grooves, providing a sturdy base for the containers.

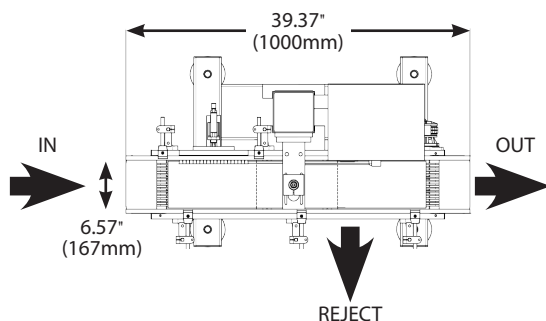
The machine performs a sensitive leak test with capabilities typically between 0.004" to 0.020" diameter hole size detection depending upon the container size, volume, and required testing rate.



## Features and Benefits

Feature	Corresponding Benefit
Color touch screen interface	Simple, efficient, and modern user interface
Multi-strand conveyor	Low cost and simple conveying approach
Painted steel frame	Rugged and durable construction, designed to last
Recipe storage for leak test settings	Quick and repeatable changeover of test settings
Dual-level conveyor rails	Ensures stability for larger containers
Gate cylinder	Provides ability to regulate bottles into the testing area, if needed
Stop cylinder	Provides ability to positively stop bottles in the testing area, if needed

## Standard Machine Specifications



### Standard Utility Requirements

120 VAC • 50/60Hz  
80 PSI (5.5 Bar) • 1/4" connection

